

INNOVATION MEETS
ACCELERATION



BYD SEAL



BYD SEAL

Drawing inspiration from **“Ocean Aesthetics”**, BYD SEAL’s sleek look is a result of its streamlined design, a lower stance and an extended wheelbase.



FASTBACK AND LOW-SLUNG SHAPE

BYD SEAL makes use of the golden ratio to optimize its aerodynamics, while ensuring its smart and elegant style.



DOUBLE-U FLOATING LED HEADLIGHTS

Streamline & slender LED lens headlights design delivering striking aesthetics & enhanced visibility.



GLISTENING "RIPPLE" LAMP

Based on the ripple of an ocean wave, linear lighting gradually thins, giving a sense of endless expansion.



BOUNDLESS LED TAIL LIGHT STRIP & SPORTY BLACK DIFFUSER

A sleek, narrow light strip links the drop-shaped dot matrix lights, framed by chrome-plated trim, creating a striking visual that echoes the horizon of sea and sky. The sporty design also reduces wind resistance, boosting overall performance.



HIDDEN DOOR HANDLES

Electronically retractable handles for streamlined and wind resistant doors, with keyless entry and ignition, extending when unlocked.



19" PRECISION BLADE WHEEL HUBS

BYD's iconic wheel hubs are designed to increase aerodynamic efficiency. A combination of dark and light colors add to the sporty alloys.



WATERDROP-SHAPED SIDE MIRRORS

Drawing inspiration from the ocean, the waterdrop-shaped side mirrors are designed for enhanced visibility.

LUXURIOUS, SPORTY & SPACIOUS INTERIOR

The interior features a suedette finish and textured design, combining sporty style with spacious comfort. This blend of luxury and performance redefines elegance, crafted to fulfill every desire.



CRYSTAL GEARSHIFT

BYD SEAL's **"Heart of the Ocean"** control center beautifully combines form and function, with a crystal gearshift lever inspired by water droplets as its striking visual centerpiece.



CUP HOLDER

Height-adjustable driver's side cup holder for personalized convenience.





SUPERIOR COMFORT, INNOVATIVE DESIGN

Enjoy enhanced comfort with a flat floor and versatile 60/40 split-folding design, crafted to elevate your journey with advanced convenience.



BOLSTERED SPORTS SEATS

Seats offering versatility & sportiness with ventilation, heating, memory, and electric adjustment functions.



COLOR PALETTE

Staying true to its Ocean Aesthetics, BYD SEAL captures multiple color tones of the sea.



BYD ADVANCED INTELLIGENT COCKPIT

BYD SEAL's comfortable cockpit is designed with an "Ocean Aesthetics" concept, creating a relaxing and vibrant atmosphere. The ergonomic design and exquisite workmanship reflect the car's thoughtfulness and high quality. BYD's integrated smart cockpit transcends traditional boundaries, enhancing user understanding and drive experience.



10.25" FULL LCD SCREEN

Displays critical driving information, including power meter, speedometer, regenerative braking intensity, state of charge (SOC), and driving range.



15.6" INTELLIGENT ROTATING DISPLAY

Rotating effortlessly with a single touch, this high-resolution, ultra-large screen offers an intelligent interactive experience.



DUAL WIRELESS CHARGING

BYD SEAL is equipped with dual wireless charging.



ADVANCED WINDSHIELD HEADS UP DISPLAY

BYD SEAL enhances driver convenience by projecting critical information, such as vehicle speed and ADAS features, with fully adjustable positioning for a seamless and comfortable driving experience.



ELECTRICALLY ADJUSTABLE AC VENTS

Thoroughly removes PM2.5 particles from the air blown into the cabin.



AUTOMATIC RAIN SENSING WIPERS

Features sleek, frameless wipers with automatic rain detection.



INDUSTRY-LEADING VOICE COMMAND

Ultra-fast Intelligent Voice Control through Hi BYD, with an industry leading response time.



VEHICLE TO LOAD MOBILE POWER STATION

Perfect for powering your every day appliances.



INTUITIVE ELECTRIC TAILGATE

Intelligent anti-jam technology ensures safety, offers easy control, and adds convenience through adjustable height.



FRONT TRUNK

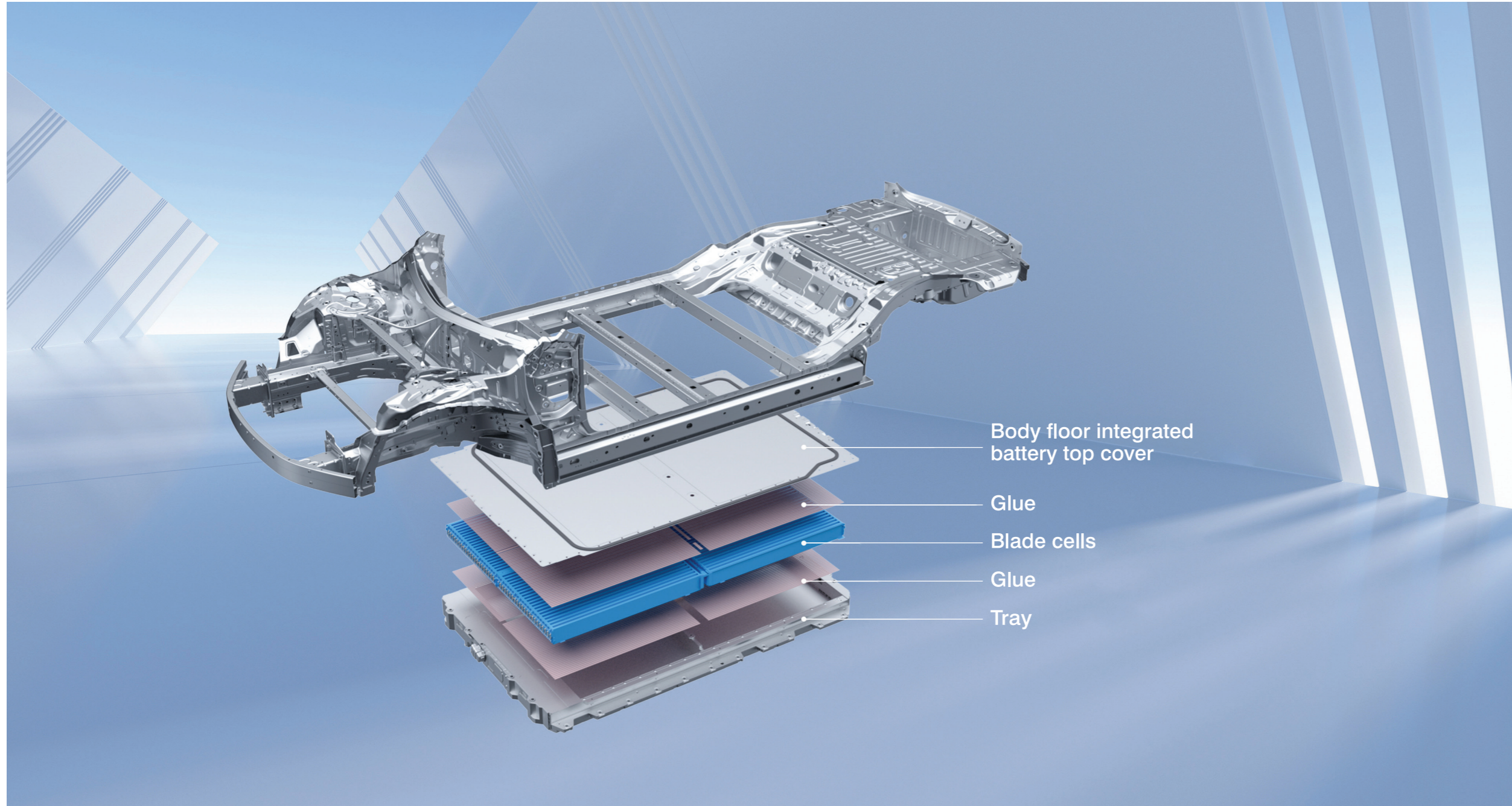
50L of volume in front trunk.



SILVER-PLATED PANORAMIC GLASS ROOF

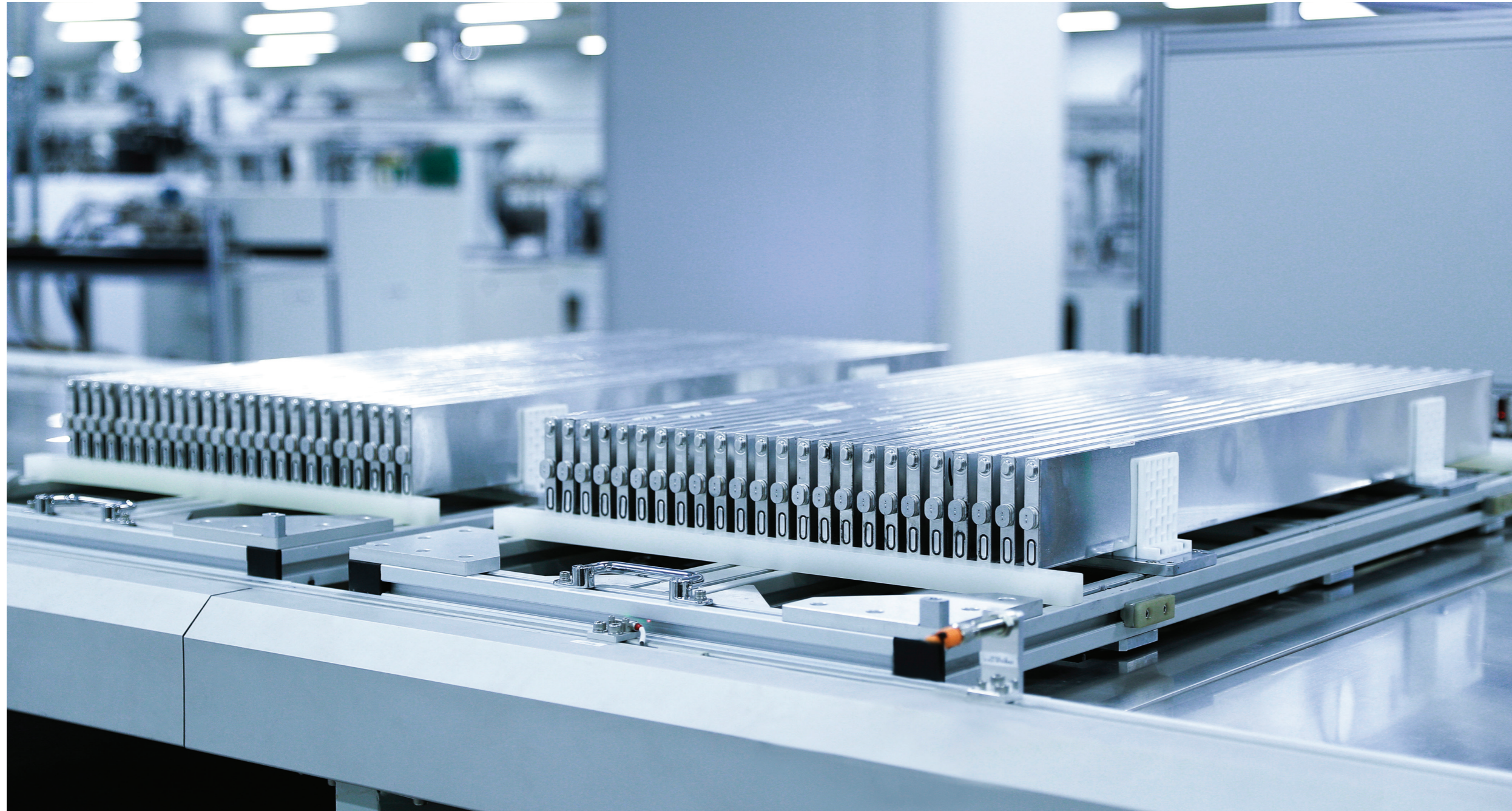
The panoramic glass roof creates an expansive feel, featuring less than 4.2% visible light and under 16% solar transmittance for superior UV protection. Its silver-plated double glazing enhances privacy and provides excellent sound and heat insulation.





e-PLATFORM 3.0 WITH CTB TECHNOLOGY

The latest BYD e-Platform 3.0 significantly enhances safety, stability, handling, and overall performance. The Cell To Body (CTB) technology seamlessly integrates the battery with the vehicle's body floor, transforming the original battery pack's 'sandwich' structure into a comprehensive solution for the entire vehicle.



BLADE BATTERY

BYD SEAL comes equipped with Blade Battery technology, which sets new benchmarks and redefines the standards of EV safety.

ULTRA SAFE

Blade Battery successfully passed the nail penetration test, the most rigorous way to test the thermal runaway of batteries. It could be said that the nail penetration test is the "Mount Everest" of battery safety tests.

ULTRA STRENGTH

Blade Battery completed an extreme strength test which saw a 46-tonne truck drive right over it, once again resetting the bar for power battery safety.

ULTRA DRIVING RANGE

Blade Battery enables BYD SEAL to have a NEDC driving range of up to 650 km.

ULTRA HIGH CHARGING AND DISCHARGING CAPACITY

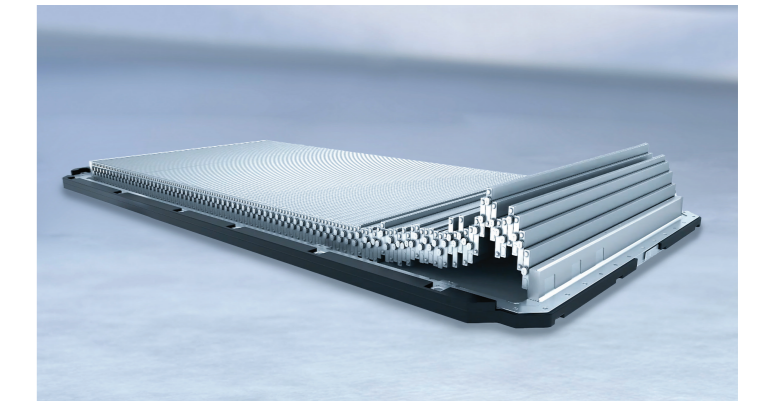
Blade Battery technology enables BYD SEAL to charge rapidly and achieve an acceleration of 0-100km/h in 3.8s.

ULTRA LONG LIFESPAN

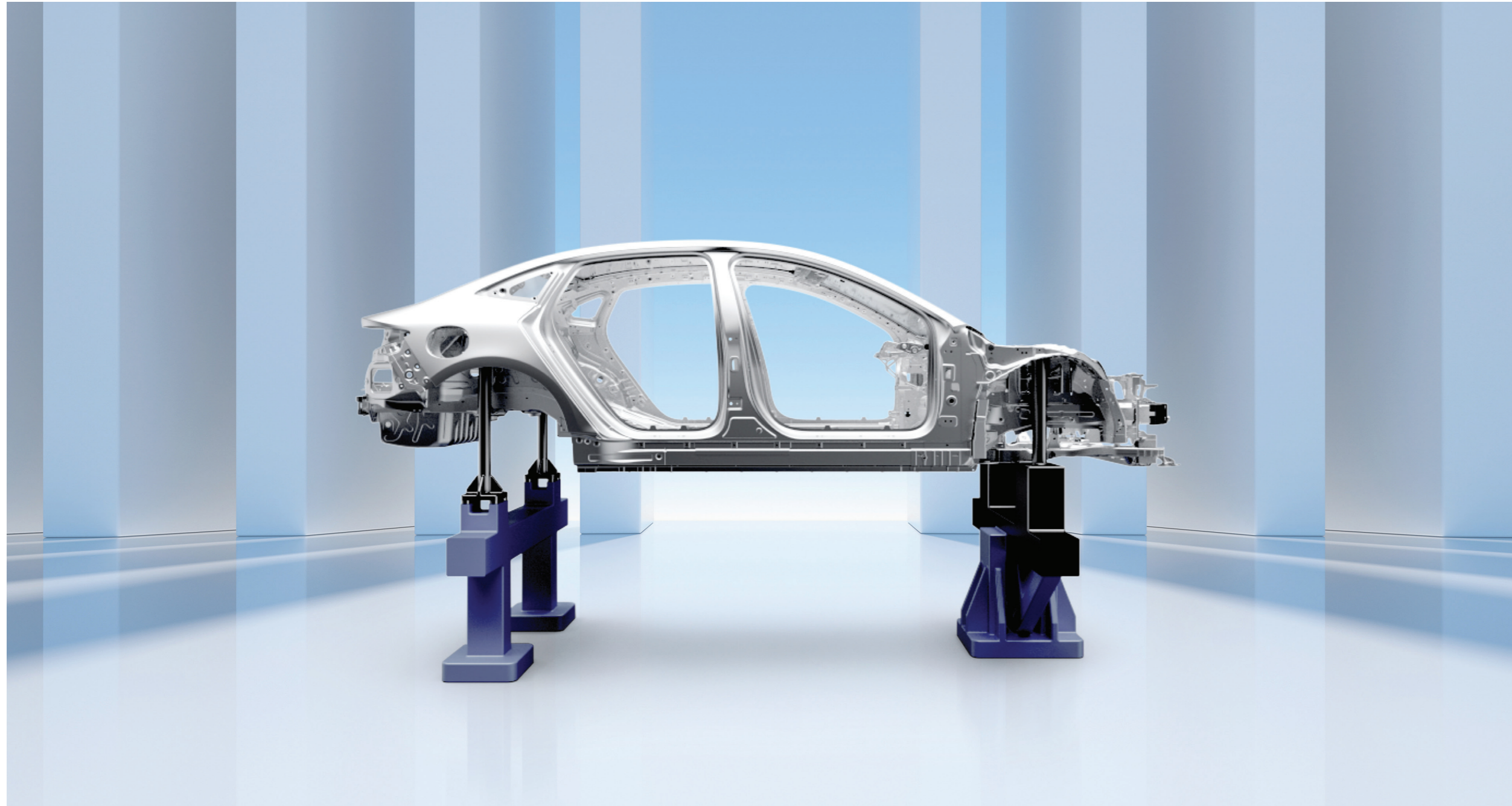
The Blade Battery lifespan can last for up to 1,000,000 km range.



NAIL PENETRATION TEST



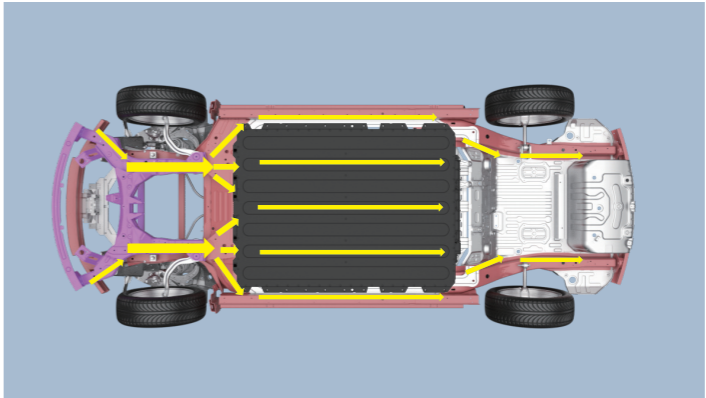
BYD BLADE BATTERY



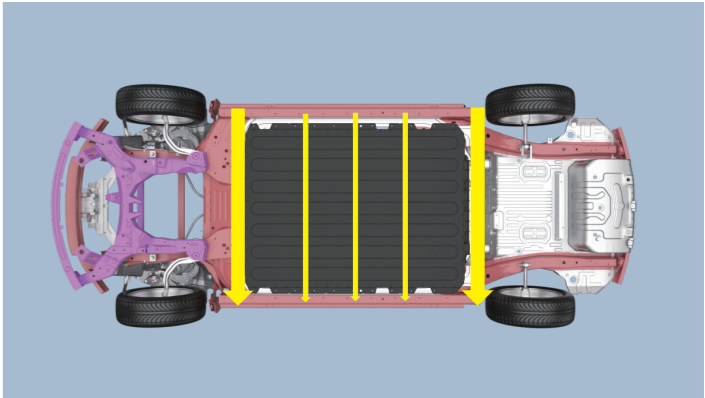
BODY SAFETY

The battery pack is sealed as part of the body using an integrated sealing plate design, which increases the rigidity of the floor by 13 times. The upper cover of the Cell To Body battery pack is used to replace the body sheet metal cover, achieving a weight reduction of 10kg.

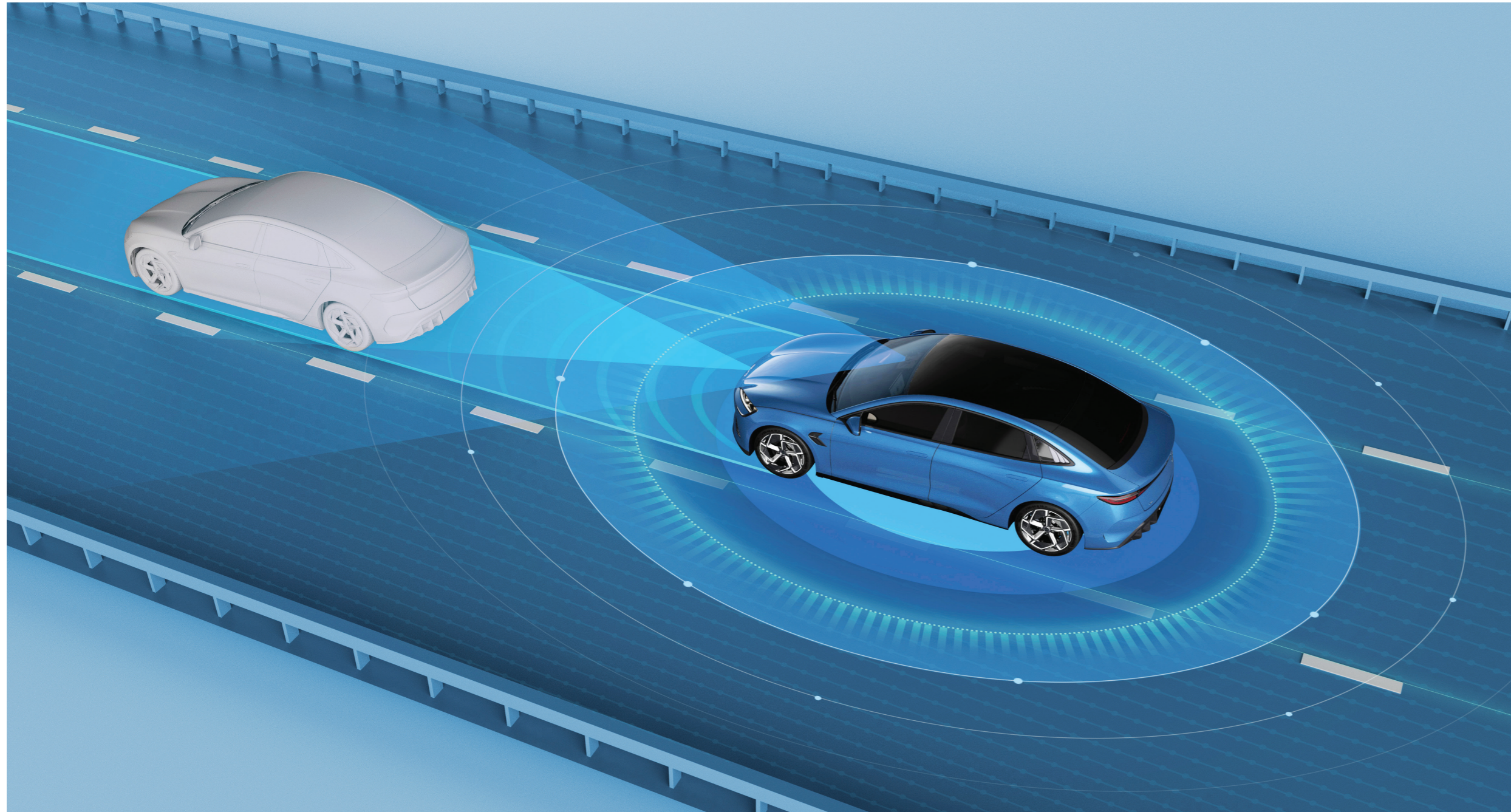
By incorporating 20% hot-formed steel and 75% high-strength steel in its structure, BYD SEAL transmits 20% of the force in front impacts and 30% in side impacts.



20% FRONT - IMPACT BATTERY FORCE TRANSMISSION

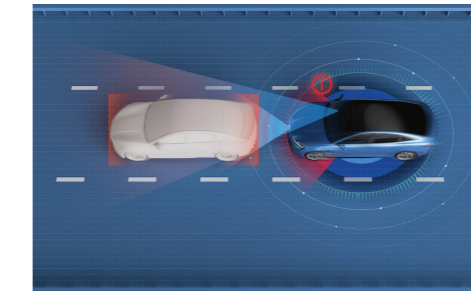


30% SIDE - IMPACT BATTERY FORCE TRANSMISSION

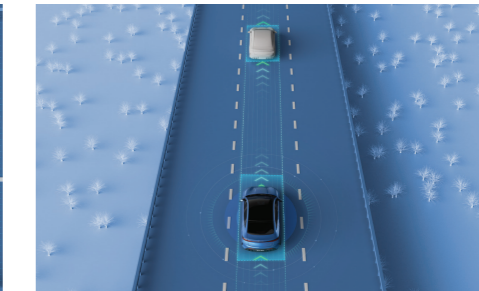


BYD ADVANCED DRIVER ASSISTANCE SYSTEM (ADAS)

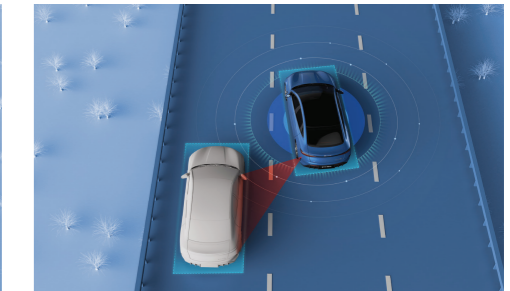
The advanced driving system and multi-sensor layouts deliver an intelligent, safe, and reliable driving platform, enhancing environmental awareness and offering robust safety solutions for the driver.



AUTOMATIC EMERGENCY BRAKING (AEB)



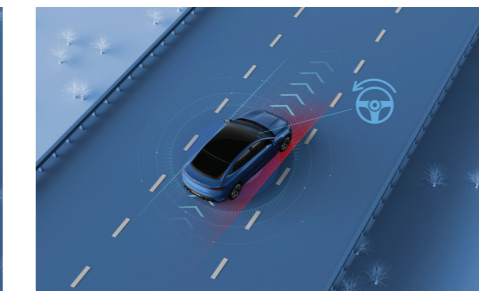
ADAPTIVE CRUISE CONTROL (ACC)



BLIND SPOT DETECTION (BSD)



DOOR OPEN WARNING (DOW)



**LANE DEPARTURE WARNING (LDW)
LANE DEPARTURE PREVENTION (LDP)
EMERGENCY LANE KEEP ASSIST (ELKA)**



**REAR CROSS TRAFFIC ALERT (RCTA)
REAR CROSS TRAFFIC BRAKE (RCTB)**



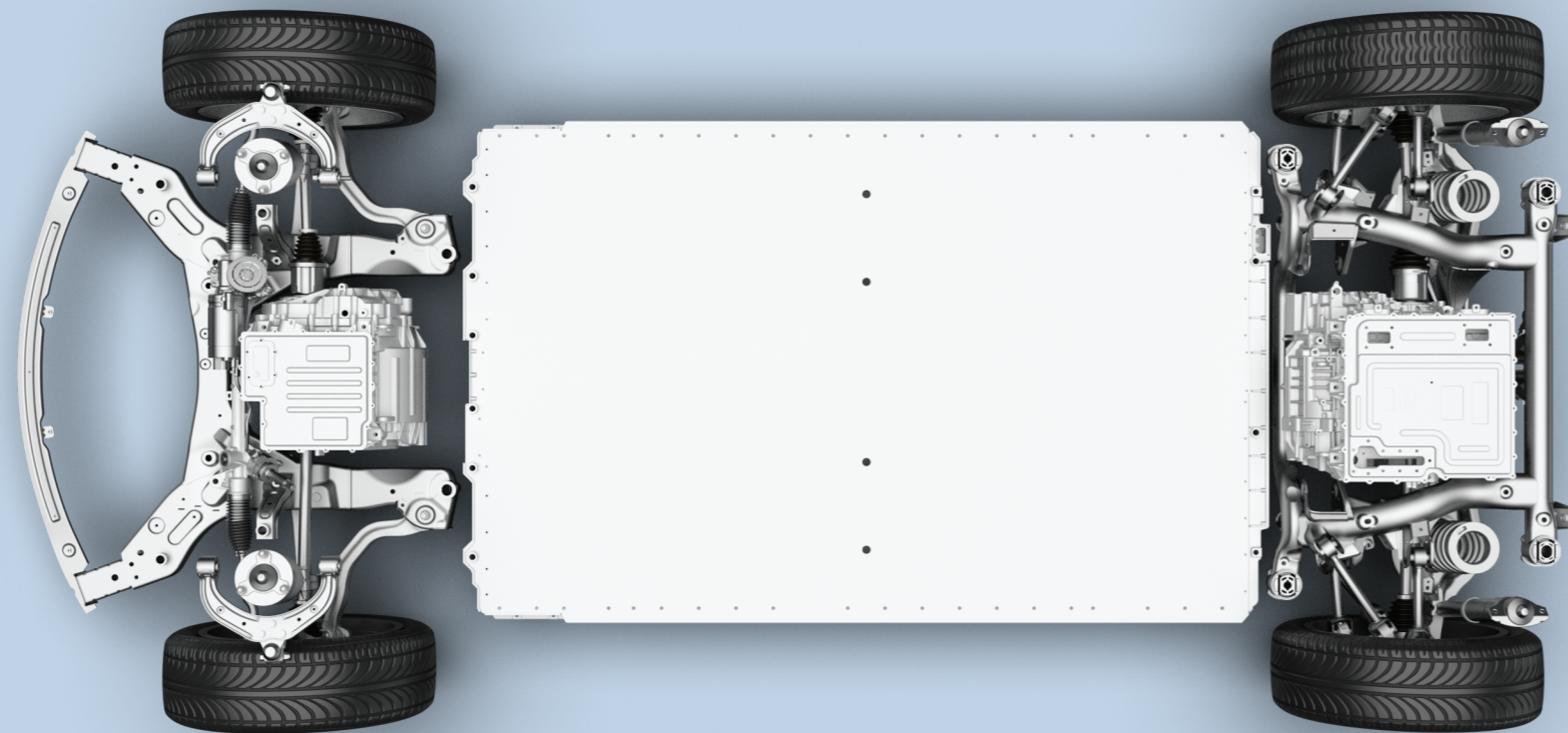
TESTED
2023 ★ ★ ★ ★ ★

UP TO
650km
Driving Range

AS FAST AS
3.8sec
0-100 km/hr

UP TO
82.56kWh
Battery Capacity





PRECISE HANDLING & COMFORTABLE DRIVE

The Double Wishbone suspension offers exceptional lateral support with precise, safe, and reliable handling, while the Five-Link suspension enhances driving stability. High-strength forged aluminum alloy swing arms significantly boost comfort performance.



FIRST BYD MODEL WITH EXCLUSIVE INTELLIGENCE TORQUE ADAPTION CONTROL (iTAC) TECHNOLOGY

Powered by the Intelligence Torque Adaption Control (iTAC) Technology, BYD SEAL can dynamically adjust the driving torque of the front and rear axles, giving the driver a better car experience in any road condition.

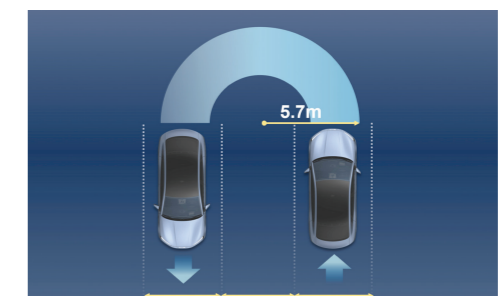


THE ULTIMATE LOW DRAG COEFFICIENT

With a wind resistance coefficient of just 0.219, BYD SEAL's cruising range increases by 8km for every 0.01 Cd reduced.



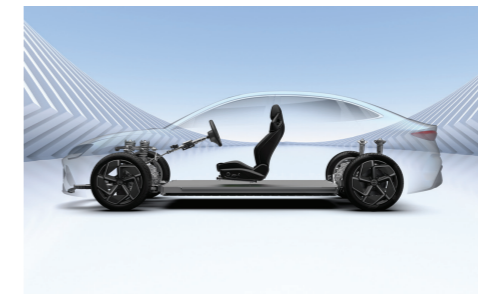
DP-EPS EASY TO CONTROL
More efficient power delivery and precise steering with multi-power mode.



MINIMUM TURNING RADIUS
Wheelbase: 2,920mm
Turning Radius: 5.7m



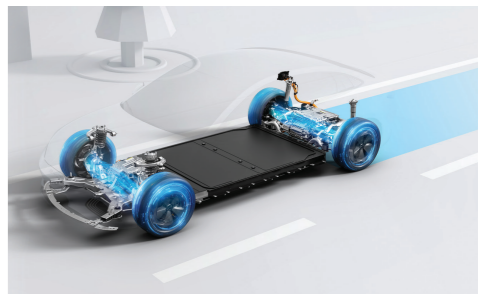
SUPERIOR TEST PERFORMANCE
Moose Test: Passed at 83.5km/h
Single Lane Change Test: Highest speed up to 133km/h



PERFECT AXLE LOAD RATIO
Evenly distributed weight across all 4 tyres enhances handling and provides a greater sense of control.

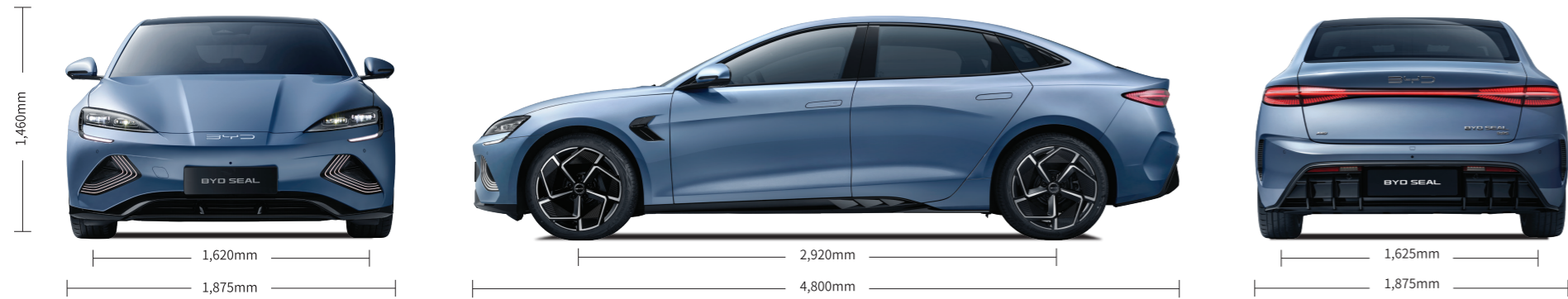


HIGH-VOLTAGE BOOSTED CHARGING
Rapid charging boosts the car's driving range significantly in minutes, allowing for longer drives.



ULTRA-EFFICIENT ENERGY CONSUMPTION
BYD SEAL can achieve the NEDC Combined Energy Consumption of 13.8kWh/100km.

BYD SEAL



INDUSTRY LEADING WARRANTY

8 YEARS
or 160,000 km

BLADE BATTERY WARRANTY

6 YEARS
or 150,000 km

VEHICLE WARRANTY

- BYD SEAL specifications are based on specific variants tested under controlled conditions.
- Certain specifications, car variants, features, and options described in this brochure may not be available in Pakistan.
- Mega Motor Company (Private) Limited reserves the right to change product specifications, car variants, features and services specified herein without prior notice.
- Performance and range figures are based on ideal conditions and may vary depending on car variant, electricity load, charger specifications, driving habits, road conditions, climate, and other factors.
- All warranties are offered only for their mentioned time period, or on the car's total mileage, whichever occurs first.
- For further information and updates on features, specifications, and other details, please visit www.byd-mega.com



MEGA MOTOR COMPANY (PRIVATE) LIMITED

 9th Floor, Ocean Tower, Clifton, Karachi

 www.byd-mega.com

   @BYDPakistan

 +92 111 111 BYD (293)

 info@byd-mega.com

